

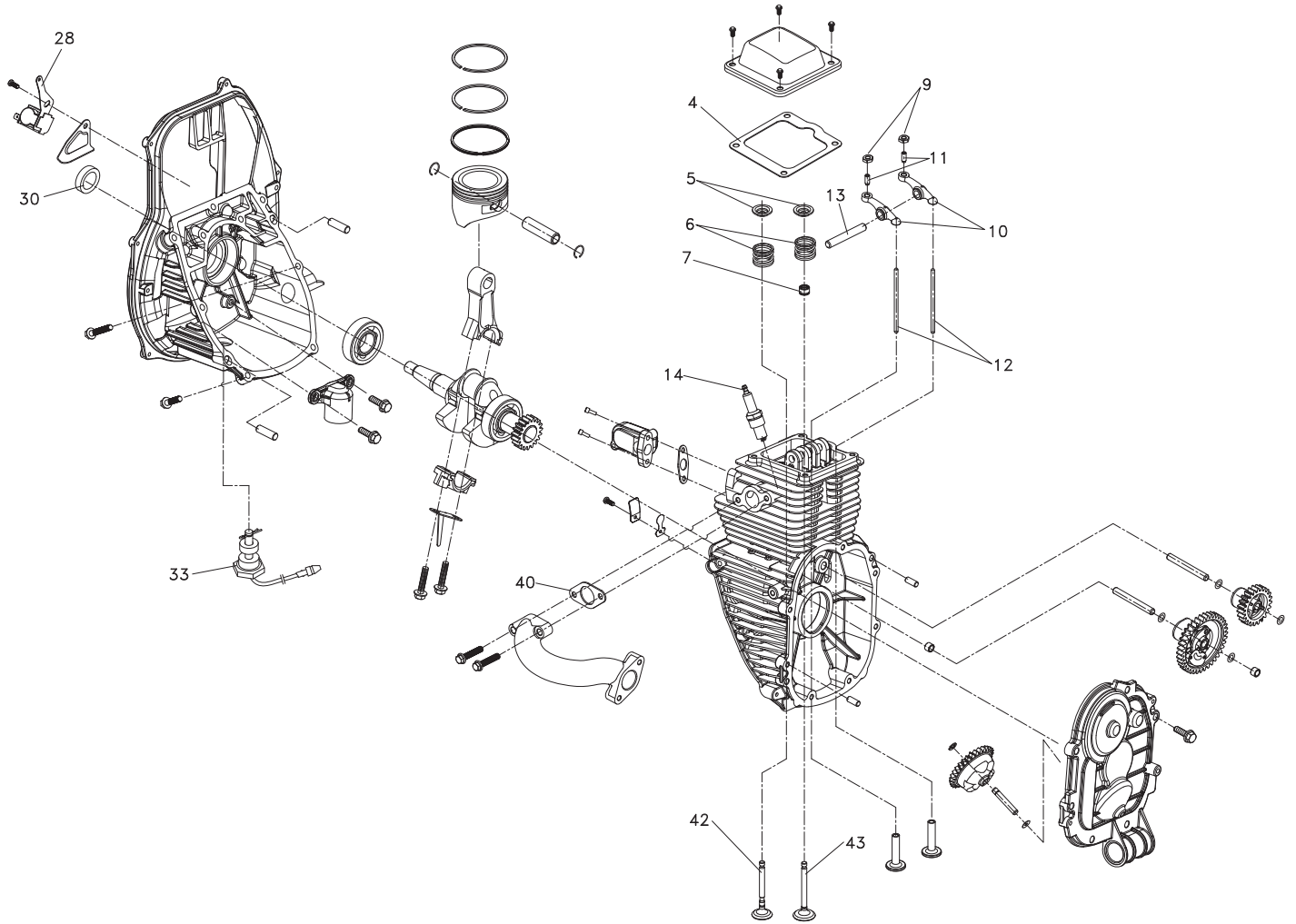


# Engine Parts Manual

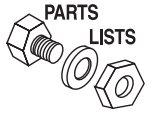
## 127cc (G28)

### **NOTICE!**

The information in this manual is known to be accurate as of the date of release shown on the cover. However, engineering changes can occur without notice. To obtain the proper parts, please be sure to use the serial number of the unit being serviced when ordering from this manual. Always refer to any parts notes and changes before ordering. All other parts not shown in this manual can be found on Generac's exploded view drawings online on GENservice at [www.generac.com](http://www.generac.com).



# 127cc Engine



Item	Part #	Qty	Description
4	0H43470288	1	GASKET, VALVE COVER
5	0K20930114	2	RETAINER, VALVE SPRING
6	0K20930113	2	SPRING, VALVE
7	0K20940110	1	SEAL, VALVE OIL
9	0K20930118	2	NUT, ADJUSTING
10	0H43470289	2	ARM, VALVE ROCKER
11	0K20940111	2	SCREW, ADJUSTING
12	0H43470290	2	PUSH-ROD, VALVE
13	0K20940112	1	SHAFT, VALVE ROCKER ARM
14	0H8096	1	SPARK PLUG
28	0H43470285	1	COIL ASSY, TRIGGER
30	0H43470303	1	CRANKSHAFT OIL SEAL
33	0H43470306	1	SENSOR ASSY, OIL
40	0H43470309	1	GASKET, EXH MANIFOLD
42	0K20940114	1	VALVE, EXHAUST
43	0K20940115	1	VALVE, INTAKE

©2013 Generac Power Systems, Inc. All rights reserved.  
Specifications are subject to change without notice  
No reproduction allowed in any form without prior written consent from Generac Power Systems, Inc.